

# KOYO

## LAGERBLOKKEN

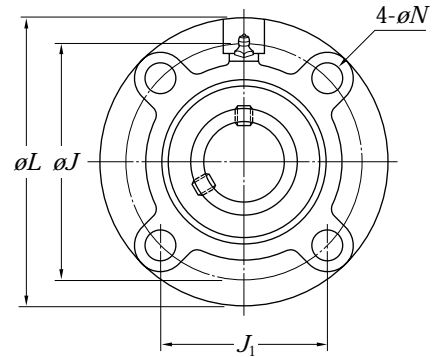
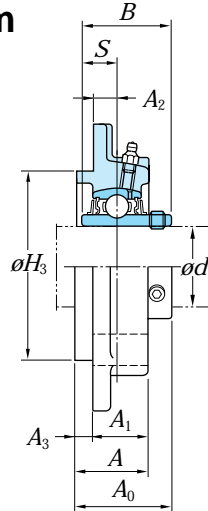


# LAGERBLOKKEN

## rond flensblok met pasrand - gietijzer

### UCFC (asborging d.m.v. borgschroeven)

**d 12 - 31.75 mm**



Asdiam. (mm)	Asdiam. (inch)	Afmetingen (mm)												Bout maat	Type Nr.	Huis Nr.	Toegepast lager		(Refer.) Blok Gewicht (kg)	
		L	J	J <sub>1</sub>	H <sub>3</sub>	A	A <sub>1</sub>	A <sub>2</sub>	A <sub>3</sub>	A <sub>0</sub>	N	B	S				Nr.	Draaggetallen (kN) C <sub>r</sub> C <sub>0r</sub>		
12															UCFC201		UC201			
12,70	1/2														UCFC201-08		UC201-08			
14,28	9/16	100	78	55.1	62	25.5	20.5	10	5	33.3	12	31	12.7	M10	UCFC202-09		UC202-09			
15															UCFC202		UC202			
15,87	5/8														UCFC202-10	FC204	UC202-10	12.8	6.65	0.75
17															UCFC203		UC203			
17,46	11/16														UCFC203-11		UC203-11			
19,05	3/4														UCFC204-12		UC204-12			
20															UCFC204		UC204			
20,64	13/16														UCFC205-13		UC205-13			
22,23	7/8														UCFC205-14		UC205-14			
23,81	15/16	115	90	63.6	70	27.0	21.0	10	6	35.8	12	34.1	14.3	M10	UCFC205-15	FC205	UC205-15	14.0	7.85	0.95
25															UCFC205		UC205			
25,40	1														UCFC205-16		UC205-16			
23,81	15/16														UCFCX05-15		UCX05-15			
25		111	92	65.0	76	30.0	24.0	10	6	38.2	9.5	38.1	15.9	M8	UCFCX05	FCX05	UCX05	19.5	11.3	1.20
25,40	1														UCFCX05-16		UCX05-16			
26,98	1.1/16														UCFC206-17		UC206-17			
28,58	1.1/18														UCFC206-18		UC206-18			
30		125	100	70.7	80	31.0	23.0	10	8	40.2	12	38.1	15.9	M10	UCFC206	FC206	UC206	19.5	11.3	1.30
30,16	1.3/16														UCFC206-19		UC206-19			
30															UCFCX06		UCX06			
30,16	1.3/16	127	105	74.2	85	32.0	22.5	8	9.5	42.9	12	42.9	17.5	M10	UCFCX06-19	FCX06	UCX06-19	25.7	15.4	1.50
31,75	1.1/4														UCFCX06-20		UCX06-20			

Opmerkingen 1) Toegepaste smeernippels

1/4-28UNF 201 - 210, X05 - X09

PT 1/8 211 - 218, X10 - X20

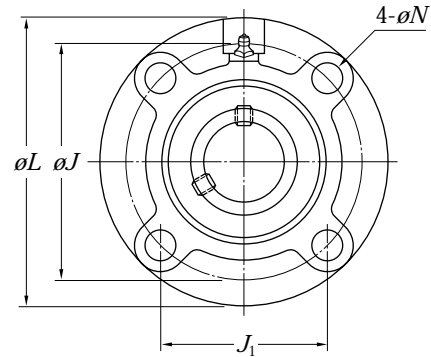
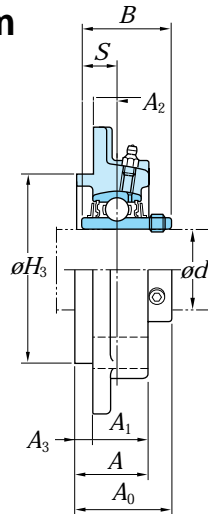
2) Lagers en blokken met dubbele- of drievoudige afdichting hebben het achtervoegsel L2 resp. L3.

# LAGERBLOKKEN

## rond flensblok met pasrand - gietijzer

### UCFC (asborging d.m.v. borgschroeven)

**d 31.75 - 50 mm**



Asdiam. (mm) <i>d</i>	Asdiam. (inch) <i>d</i>	Afmetingen (mm)											Bout maat	Type Nr.	Huis Nr.	Toegepast lager		(Refer.) Blok Gewicht (kg)			
		<i>L</i>	<i>J</i>	<i>J</i> <sub>1</sub>	<i>H</i> <sub>3</sub>	<i>A</i>	<i>A</i> <sub>1</sub>	<i>A</i> <sub>2</sub>	<i>A</i> <sub>3</sub>	<i>A</i> <sub>0</sub>	<i>N</i>	<i>B</i>				<i>S</i>	Draaggetallen (kN) <i>C</i> <sub>r</sub> <i>C</i> <sub>0r</sub>				
31.75	1.1/4														M12	UCFC207-20 UCFC207-21 UCFC207-22 UCFC207 UCFC207-23	FC207	UC207-20 UC207-21 UC207-22	25.7	15.4	1.70
33.34	1.5/16																				
34.93	1.3/8	135	110	77.8	90	34.0	26.0	11	8.0	44.4	14	42.9	17.5								
35																					
36.51	1.7/16																				
35															M10	UCFCX07 UCFCX07-23 UCFCX07-24	FCX07	UCX07 UCX07-23 UCX07-24	29.1	17.8	1.90
36.51	1.7/16	133	111	78.5	92	37.0	26.0	9	11.0	50.2	12	49.2	19.0								
38.10	1.1/2																				
38.10	1.1/2														M12	UCFC208-24 UCFC208-25 UCFC208	FC208	UC208-24 UC208-25 UC208	29.1	17.8	2.00
39.69	1.9/16	145	120	84.8	100	36.0	26.0	11	10.0	51.2	14	49.2	19.0								
40																					
38.10	1.1/2														M10	UCFCX08-24 UCFCX08	FCX08	UCX08-24 UCX08	32.7	20.3	2.00
40		133	111	78.5	92	37.0	26.0	9	11.0	50.2	12	49.2	19.0								
41.28	1.5/8														M14	UCFC209-26 UCFC209-27 UCFC209-28 UCFC209	FC209	UC209-26 UC209-27 UC209-28 UC209	32.7	20.3	2.60
42.86	1.11/16	160	132	93.3	105	38.0	26.0	10	12.0	52.2	16	49.2	19.0								
44.45	1.3/4																				
45																					
40																					
42.86	1.11/16														M12	UCFCX09/1d UCFCX09-27 UCFX09-28 UCFCX09	FCX09	UCX09/1d UCX09-27 UCX09-28 UCX09	35.1	23.3	2.60
44.45	1.3/4	155	130	91.9	108	37.0	25.0	8	12.0	52.6	14	51.6	19.0								
45																					
46.04	1.13/16																				
47.63	1.7/8														M14	UCFC210-29 UCFC210-30 UCFC210-31 UCFC210	FC210	UC210-29 UC210-30 UC210-31 UC210	35.1	23.3	2.60
49.21	1.15/16	165	138	97.6	110	40.0	28.0	10	12.0	54.6	16	51.6	19.0								
50																					

Opmerkingen 1) Toegepaste smeernippels

1/4-28UNF 201 - 210, X05 - X09

PT 1/8 211 - 218, X10 - X20

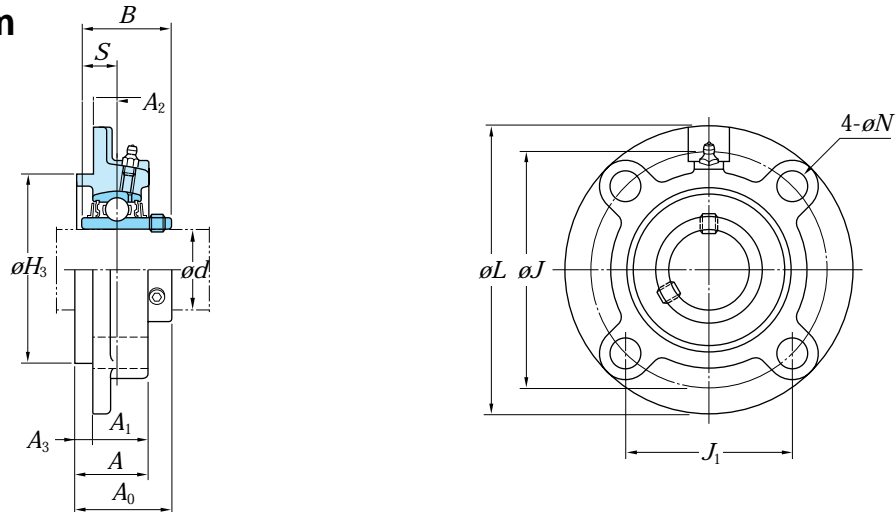
2) Lagere en blokken met dubbele- of drievoudige afdichting hebben het achtervoegsel L2 resp. L3.

# LAGERBLOKKEN

## rond flensblok met pasrand - gietijzer

### UCFC (asborging d.m.v. borgschroeven)

**d 42.86 - 65 mm**



Asdiam. (mm)	Asdiam. (inch)	Afmetingen (mm)											Bout maat	Type Nr.	Huis Nr.	Toegepast lager		(Refer.) Blok Gewicht (kg)			
		L	J	J <sub>1</sub>	H <sub>3</sub>	A	A <sub>1</sub>	A <sub>2</sub>	A <sub>3</sub>	A <sub>0</sub>	N	B				S	Nr.		Draaggetallen (kN) C <sub>r</sub> C <sub>0r</sub>		
42.86	1.15/16														M12	UCFCX10-31	FCX10	UCX10-31			3.70
50		162	136	96.2	118	41.0	25.0	7	16.0	56.4	14	55.6	22.2	UCFCX10		UCX10		43.4	29.4		
50.80	2													UCFCX10-32		UCX10-32					
50.80	2													M16	UCFC211-32	FC211	UC211-32			4.20	
52.39	2.1/16														UCFC211-33		UC211-33				
53.98	2.1/8	185	150	106.1	125	43.0	31.0	13	12.0	58.4	19	55.6	22.2		UCFC211-34		UC211-34	43.4	29.4		
55														M14	UCFC211	FCX11	UC211			4.30	
55.56	2.3/16														UCFC211-35		UC211-35				
55															UCFCX11		UCX11				
55.56	2.3/16	180	152	107.5	127	48.0	26.0	4	22.0	65.7	16	65.1	25.4	M16	UCFCX11-35	FC212	UCX11-35	52.4	36.2	4.30	
57.15	2.1/4														UCFCX11-36		UCX11-36				
57.15	2.1/4														UCFC212-36		UC212-36				
58.74	2.5/16													M16	UCFC212-37	FC212	UC212-37			5.00	
60		195	160	113.1	135	48.0	36.0	17	12.0	68.7	19	65.1	25.4		UCFC212		UC212	52.4	36.2		
60.33	2.3/8														UCFC212-38		UC212-38				
61.91	2.7/16													M14	UCFC212-39	FCX12	UC212-39			5.30	
60															UCFCX12		UCX12				
60.33	2.3/8	194	165	116.7	140	53.0	33.0	11	20.0	70.7	16	65.1	25.4		UCFCX12-38		UCX12-38	57.2	40.1		
61.91	2.7/16													M16	UCFCX12-39	FC213	UCX12-39			5.60	
63.50	2.1/2	205	170	120.2	145	50.0	36.0	16	14.0	69.7	19	65.1	25.4		UCFC213-40		UC213-40	57.2	40.1		
65															UCFC213		UC213				
60														M14	UCFCX13-1d	FCX13	UCX13-1d			5.70	
61.91	2.7/16														UCFCX13-39		UCX13-39				
63.50	2.1/2	194	165	116.7	140	53.0	33.0	11	20.0	75.4	16	74.6	30.2		UCFCX13-40		UCX13-40	62.2	44.1		
65															UCFCX13		UCX13				

Opmerkingen 1) Toegepaste smeernippels

1/4-28UNF 201 - 210, X05 - X09

PT 1/8 211 - 218, X10 - X20

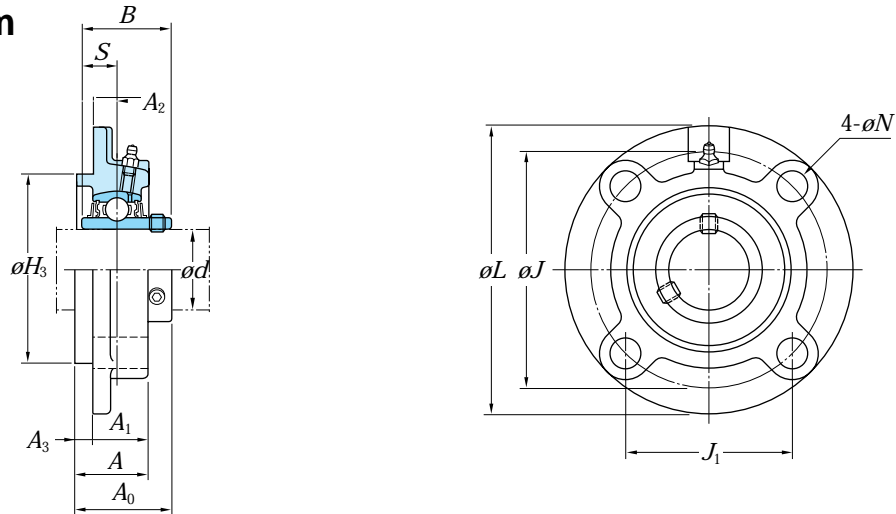
2) Lagers en blokken met dubbele- of drievoudige afdichting hebben het achtervoegsel L2 resp. L3.

# LAGERBLOKKEN

## rond flensblok met pasrand - gietijzer

### UCFC (asborging d.m.v. borgschroeven)

**d 68.26 - 90 mm**



Asdiam. (mm)	Asdiam. (inch)	Afmetingen (mm)											Bout maat	Type Nr.	Huis Nr.	Toegepast lager		(Refer.) Blok Gewicht (kg)																																																																																																																																																																																																																																																																																																																																		
		L	J	J <sub>1</sub>	H <sub>3</sub>	A	A <sub>1</sub>	A <sub>2</sub>	A <sub>3</sub>	A <sub>0</sub>	N	B				S	Nr.		Draaggetallen (kN) C <sub>r</sub> C <sub>0r</sub>																																																																																																																																																																																																																																																																																																																																	
68.26	2.11/16														M16	UCFC214-43 UCFC214-44 UCFC214	FC214	UC214-43 UC214-44 UC214	62.2 44.1	6.80																																																																																																																																																																																																																																																																																																																																
69.85	2.3/4	215	177	125.1	150	54.0	40.0	17	14.0	75.4	19	74.6	30.2																																																																																																																																																																																																																																																																																																																																							
70														65																					M16	UCFCX14-1d UCFCX14-43 UCFCX14-44 UCFCX14	FCX14	UCX14-1d UCX14-43 UCX14-44 UCX14	67.4 48.3	7.30	68.26	2.11/16	222	190	134.3	164	56.0	36.0	14	20.0	78.5	19	77.8	33.3	69.85	2.3/4													70														73.03	2.7/8														M16	UCFC215-46 UCFC215-47 UCFC215 UCFC215-48	FC215	UC215-46 UC215-47 UC215 UC215-48	67.4 48.3	7.20	74.61	2.15/16	220	184	130.1	160	56.0	40.0	18	16.0	78.5	19	77.8	33.3	75														76.2	3													68.26	2.15/16														M16	UCFCX15-47 UCFCX15 UCFCX15-48	FCX15	UCX15-47 UCX15 UCX15-48	67.4 53.0	8.00	75		222	190	134.3	164	57.0	35.0	12	22.0	83.3	19	82.6	33.3	70	3													80		240	200	141.4	170	58.0	42.0	18	16.0	83.3	23	82.6	33.3	M20	UCFC216	FC216	UC216	72.7 53.0	8.70	80															M20	UCFCX16 UCFCX16-51 UCFCX16-52	FCX16	UCX16 UCX16-51 UCX16.52	84.0 61.9	11.30	80.96	3.3/16	260	219	154.8	186	61.0	36.0	10	25.0	86.6	23	85.7	34.1	82.55	3.1/4													82.55	3.1/4	250	208	147.1	180	63.0	45.0	18	18.0	87.6	23	85.7	34.1	M20	UCFC217-52 UCFC217	FC217	UC217-52 UC217	84.0 61.9	10.30	85															M20	UCFCX17 UCFCX17-55 UCFCX17-56 UCFCX17-1d	FCX17	UCX17 UCX17-55 UCX17-56 UCX17-1d	96.1 71.5	12.90	87.31	3.7/16	260	219	154.8	186	61.0	36.0	10	25.0	91.3	23	96.0	39.7	88.90	3.1/2													90							
65															M16	UCFCX14-1d UCFCX14-43 UCFCX14-44 UCFCX14	FCX14	UCX14-1d UCX14-43 UCX14-44 UCX14	67.4 48.3	7.30																																																																																																																																																																																																																																																																																																																																
68.26	2.11/16	222	190	134.3	164	56.0	36.0	14	20.0	78.5	19	77.8	33.3																																																																																																																																																																																																																																																																																																																																							
69.85	2.3/4													70																				73.03	2.7/8														M16	UCFC215-46 UCFC215-47 UCFC215 UCFC215-48	FC215	UC215-46 UC215-47 UC215 UC215-48	67.4 48.3	7.20	74.61	2.15/16	220	184	130.1	160	56.0	40.0	18	16.0	78.5	19	77.8	33.3	75														76.2	3													68.26	2.15/16														M16	UCFCX15-47 UCFCX15 UCFCX15-48	FCX15	UCX15-47 UCX15 UCX15-48	67.4 53.0	8.00	75		222	190	134.3	164	57.0	35.0	12	22.0	83.3	19	82.6	33.3	70	3													80		240	200	141.4	170	58.0	42.0	18	16.0	83.3	23	82.6	33.3	M20	UCFC216	FC216	UC216	72.7 53.0	8.70	80															M20	UCFCX16 UCFCX16-51 UCFCX16-52	FCX16	UCX16 UCX16-51 UCX16.52	84.0 61.9	11.30	80.96	3.3/16	260	219	154.8	186	61.0	36.0	10	25.0	86.6	23	85.7	34.1	82.55	3.1/4													82.55	3.1/4	250	208	147.1	180	63.0	45.0	18	18.0	87.6	23	85.7	34.1	M20	UCFC217-52 UCFC217	FC217	UC217-52 UC217	84.0 61.9	10.30	85															M20	UCFCX17 UCFCX17-55 UCFCX17-56 UCFCX17-1d	FCX17	UCX17 UCX17-55 UCX17-56 UCX17-1d	96.1 71.5	12.90	87.31	3.7/16	260	219	154.8	186	61.0	36.0	10	25.0	91.3	23	96.0	39.7	88.90	3.1/2													90																																																								
70														73.03	2.7/8														M16	UCFC215-46 UCFC215-47 UCFC215 UCFC215-48	FC215	UC215-46 UC215-47 UC215 UC215-48	67.4 48.3	7.20	74.61	2.15/16	220	184	130.1	160	56.0	40.0	18	16.0	78.5	19	77.8	33.3							75														76.2	3													68.26	2.15/16														M16	UCFCX15-47 UCFCX15 UCFCX15-48	FCX15	UCX15-47 UCX15 UCX15-48	67.4 53.0	8.00	75		222	190	134.3	164	57.0	35.0							12	22.0	83.3	19	82.6	33.3	70	3													80		240	200	141.4	170	58.0	42.0	18	16.0	83.3	23	82.6	33.3	M20	UCFC216	FC216	UC216	72.7 53.0	8.70	80															M20	UCFCX16 UCFCX16-51 UCFCX16-52	FCX16	UCX16 UCX16-51 UCX16.52	84.0 61.9	11.30	80.96	3.3/16							260	219	154.8	186	61.0	36.0	10	25.0	86.6	23	85.7	34.1	82.55	3.1/4													82.55	3.1/4	250	208	147.1	180	63.0	45.0	18	18.0	87.6	23	85.7	34.1	M20	UCFC217-52 UCFC217	FC217	UC217-52 UC217	84.0 61.9	10.30	85															M20	UCFCX17 UCFCX17-55 UCFCX17-56 UCFCX17-1d							FCX17	UCX17 UCX17-55 UCX17-56 UCX17-1d	96.1 71.5	12.90	87.31	3.7/16	260	219	154.8	186	61.0	36.0	10	25.0	91.3	23	96.0	39.7	88.90	3.1/2													90																																																				
73.03	2.7/8														M16	UCFC215-46 UCFC215-47 UCFC215 UCFC215-48	FC215	UC215-46 UC215-47 UC215 UC215-48	67.4 48.3	7.20																																																																																																																																																																																																																																																																																																																																
74.61	2.15/16	220	184	130.1	160	56.0	40.0	18	16.0	78.5	19	77.8	33.3																																																																																																																																																																																																																																																																																																																																							
75														76.2							3													68.26	2.15/16														M16	UCFCX15-47 UCFCX15 UCFCX15-48	FCX15	UCX15-47 UCX15 UCX15-48	67.4 53.0	8.00	75		222	190	134.3	164	57.0	35.0	12	22.0	83.3	19	82.6	33.3	70	3													80		240	200	141.4	170	58.0	42.0	18	16.0	83.3	23	82.6	33.3	M20	UCFC216	FC216	UC216	72.7 53.0	8.70	80															M20	UCFCX16 UCFCX16-51 UCFCX16-52	FCX16	UCX16 UCX16-51 UCX16.52	84.0 61.9	11.30	80.96	3.3/16	260	219	154.8	186	61.0	36.0	10	25.0	86.6	23	85.7	34.1	82.55	3.1/4													82.55	3.1/4	250	208	147.1	180	63.0	45.0	18	18.0	87.6	23	85.7	34.1	M20	UCFC217-52 UCFC217	FC217	UC217-52 UC217	84.0 61.9	10.30	85															M20	UCFCX17 UCFCX17-55 UCFCX17-56 UCFCX17-1d	FCX17	UCX17 UCX17-55 UCX17-56 UCX17-1d	96.1 71.5	12.90	87.31	3.7/16	260	219	154.8	186	61.0	36.0	10	25.0	91.3	23	96.0	39.7	88.90	3.1/2													90																																																																																																																							
76.2	3													68.26	2.15/16														M16	UCFCX15-47 UCFCX15 UCFCX15-48	FCX15	UCX15-47 UCX15 UCX15-48	67.4 53.0	8.00	75		222	190	134.3	164	57.0	35.0	12	22.0	83.3	19	82.6	33.3							70	3													80		240	200	141.4	170	58.0	42.0	18	16.0	83.3	23	82.6	33.3	M20	UCFC216	FC216	UC216	72.7 53.0	8.70	80															M20	UCFCX16 UCFCX16-51 UCFCX16-52	FCX16	UCX16 UCX16-51 UCX16.52	84.0 61.9	11.30	80.96	3.3/16	260	219	154.8	186	61.0	36.0							10	25.0	86.6	23	85.7	34.1	82.55	3.1/4													82.55	3.1/4	250	208	147.1	180	63.0	45.0	18	18.0	87.6	23	85.7	34.1	M20	UCFC217-52 UCFC217	FC217	UC217-52 UC217	84.0 61.9	10.30	85															M20	UCFCX17 UCFCX17-55 UCFCX17-56 UCFCX17-1d	FCX17	UCX17 UCX17-55 UCX17-56 UCX17-1d	96.1 71.5	12.90	87.31	3.7/16							260	219	154.8	186	61.0	36.0	10	25.0	91.3	23	96.0	39.7	88.90	3.1/2													90																																																																																																																									
68.26	2.15/16														M16	UCFCX15-47 UCFCX15 UCFCX15-48	FCX15	UCX15-47 UCX15 UCX15-48	67.4 53.0	8.00																																																																																																																																																																																																																																																																																																																																
75		222	190	134.3	164	57.0	35.0	12	22.0	83.3	19	82.6	33.3																																																																																																																																																																																																																																																																																																																																							
70	3													80								240	200	141.4	170	58.0	42.0	18	16.0	83.3	23	82.6	33.3	M20	UCFC216	FC216	UC216	72.7 53.0	8.70	80															M20	UCFCX16 UCFCX16-51 UCFCX16-52	FCX16	UCX16 UCX16-51 UCX16.52	84.0 61.9	11.30	80.96	3.3/16	260	219	154.8	186	61.0	36.0	10	25.0	86.6	23	85.7	34.1	82.55	3.1/4													82.55	3.1/4	250	208	147.1	180	63.0	45.0	18	18.0	87.6	23	85.7	34.1	M20	UCFC217-52 UCFC217	FC217	UC217-52 UC217	84.0 61.9	10.30	85															M20	UCFCX17 UCFCX17-55 UCFCX17-56 UCFCX17-1d	FCX17	UCX17 UCX17-55 UCX17-56 UCX17-1d	96.1 71.5	12.90	87.31	3.7/16	260	219	154.8	186	61.0	36.0	10	25.0	91.3	23	96.0	39.7	88.90	3.1/2													90																																																																																																																																																																																						
80		240	200	141.4	170	58.0	42.0	18	16.0	83.3	23	82.6	33.3	M20	UCFC216	FC216	UC216	72.7 53.0	8.70																																																																																																																																																																																																																																																																																																																																	
80															M20	UCFCX16 UCFCX16-51 UCFCX16-52	FCX16	UCX16 UCX16-51 UCX16.52	84.0 61.9	11.30																																																																																																																																																																																																																																																																																																																																
80.96	3.3/16	260	219	154.8	186	61.0	36.0	10	25.0	86.6	23	85.7	34.1																																																																																																																																																																																																																																																																																																																																							
82.55	3.1/4													82.55							3.1/4	250	208	147.1	180	63.0	45.0	18	18.0	87.6	23	85.7	34.1	M20	UCFC217-52 UCFC217	FC217	UC217-52 UC217	84.0 61.9	10.30	85															M20	UCFCX17 UCFCX17-55 UCFCX17-56 UCFCX17-1d	FCX17	UCX17 UCX17-55 UCX17-56 UCX17-1d	96.1 71.5	12.90	87.31	3.7/16	260	219	154.8	186	61.0	36.0	10	25.0	91.3	23	96.0	39.7	88.90	3.1/2													90																																																																																																																																																																																																																																																											
82.55	3.1/4	250	208	147.1	180	63.0	45.0	18	18.0	87.6	23	85.7	34.1	M20	UCFC217-52 UCFC217	FC217	UC217-52 UC217	84.0 61.9	10.30																																																																																																																																																																																																																																																																																																																																	
85															M20	UCFCX17 UCFCX17-55 UCFCX17-56 UCFCX17-1d	FCX17	UCX17 UCX17-55 UCX17-56 UCX17-1d	96.1 71.5	12.90																																																																																																																																																																																																																																																																																																																																
87.31	3.7/16	260	219	154.8	186	61.0	36.0	10	25.0	91.3	23	96.0	39.7																																																																																																																																																																																																																																																																																																																																							
88.90	3.1/2													90																																																																																																																																																																																																																																																																																																																																						
90																																																																																																																																																																																																																																																																																																																																																				

Opmerkingen 1) Toegepaste smeernippels

1/4-28UNF 201 - 210, X05 - X09

PT 1/8 211 - 218, X10 - X20

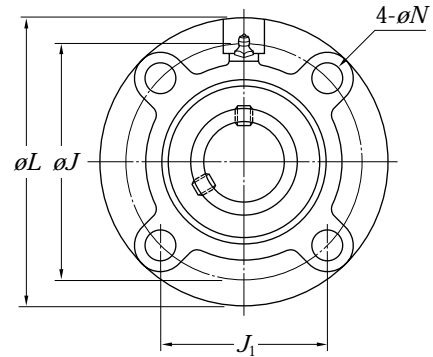
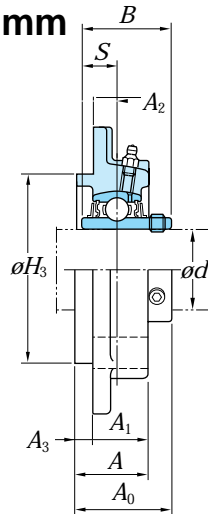
2) Lagers en blokken met dubbele- of drievoudige afdichting hebben het achtervoegsel L2 resp. L3.

# LAGERBLOKKEN

## rond flensblok met pasrand - gietijzer

### UCFC (asborging d.m.v. borgschroeven)

**d 88.90 - 101.6 mm**



Asdiam. (mm)	Asdiam. (inch)	Afmetingen (mm)											Bout maat	Type Nr.	Huis Nr.	Toegepast lager		(Refer.) Blok Gewicht (kg)	
		L	J	J <sub>1</sub>	H <sub>3</sub>	A	A <sub>1</sub>	A <sub>2</sub>	A <sub>3</sub>	A <sub>0</sub>	N	B				S	Nr.		Draaggetallen (kN) C <sub>r</sub> C <sub>0r</sub>
88.90 90	3.1/2	265	220	155.5	190	68.0	50.0	22	18.0	96.3	23	96.0	39.7	M20	UCFC218-56 UCFC218	FC218	UC218-56 UC218	96.1 71.5	13.30
88.90 90	3.1/2	260	219	154.8	186	71.0	43.0	12	28.0	101.1	23	104.0	42.9	M20	UCFCX18-56 UCFCX18	FCX18	UCX18-56 UCX18	109.0 81.9	13.50
100 100.01 101.60	3.15/16 4	276	238	168.3	206	94.0	66.0	22	28.0	118.3	23	117.5	49.2	M20	UCFCX20 UCFCX20-63 UCFCX20-64	FCX20	UCX20 UCX20-63 UCX20-64	133.0 105.0	18.20

Opmerkingen 1) Toegepaste smeernippels

1/4-28UNF 201 - 210, X05 - X09

PT 1/8 211 - 218, X10 - X20

2) Lagere en blokken met dubbele- of drievoudige afdichting hebben het achtervoegsel L2 resp. L3.