

# KOYO

## LAGERBLOKKEN

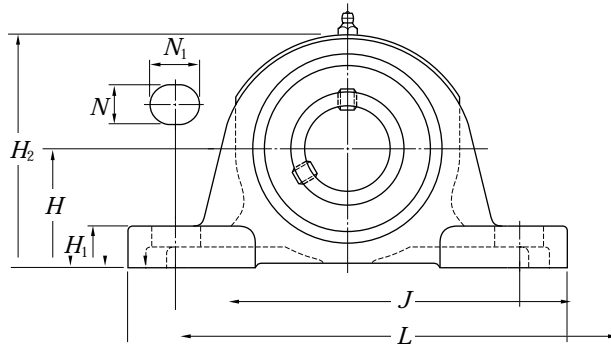
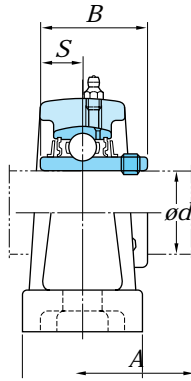


# LAGERBLOKKEN

## Kussenblok - gietijzer

### UCP (asborging d.m.v. borgschroeven)

**d 12 - 30.16 mm**



Asdiam. (mm) <i>d</i>	Asdiam. (inch) <i>d</i>	Afmetingen (mm)										Bout maat	Type Nr.	Huis Nr.	Toegepast lager		(Refer.) Blok Gewicht (kg)	
		<i>H</i>	<i>J</i>	<i>L</i>	<i>A</i>	<i>H</i> <sub>1</sub>	<i>H</i> <sub>2</sub>	<i>N</i>	<i>N</i> <sub>1</sub>	<i>B</i>	<i>S</i>				Nr.	Draaggetallen (kN) <i>C</i> <sub>r</sub> <i>C</i> <sub>0r</sub>		
12													UCP201		UC201			
12,70	1/2												UCP201-08		UC201-08			
14,28	9/16												UCP202-09		UC202-09			
15		30.2	95	127	38	12	60	13	18	31	12.7	M10	UCP202	P203	UC202	12.8	6.65	0.61
15,87	5/8												UCP202-10		UC202-10			
17													UCP203		UC203			
17,46	11/16												UCP203-11		UC203-11			
19.05	3/4												UCP204-12		UC204-12			
20		33.3	95	127	38	13	64	13	18	31	12.7	M10	UCP204	P204	UC204	12.8	6.65	0.66
20.64	13/16												UCP205-13		UC205-13			
22.23	7/8												UCP205-14		UC205-14			
23.81	15/16	36.5	105	140	38	13	71	13	18	34.1	14.3	M10	UCP205-15	P205	UC205-15	14.0	7.85	0.80
25													UCP205		UC205			
25.40	1												UCP205-16		UC205-16			
23.81	15/16												UCPX05-15		UCX05-15			
25		44.4	119	159	51	16	86	17	25	38.1	15.9	M14	UCPX05	PX05	UCX05	19.5	11.3	1.50
25.40	1												UCPX05-16		UCX05-16			
22.23	7/8												UCP305-14		UC305-14			
25		45	132	175	45	16	85	17	20	38	15	M14	UCP305	P305	UC305	20.6	11.3	1.70
25.40	1												UCP305-16		UC305-16			
26.98	1.1/16												UCP206-17		UC206-17			
28.58	1.1/18	42.9	121	165	48	15	84	17	21	38.1	15.9	M14	UCP206-18	P206	UC206-18	19.5	11.3	1.30
30													UCP206		UC206			
30.16	1.3/16												UCP206-19		UC206-19			

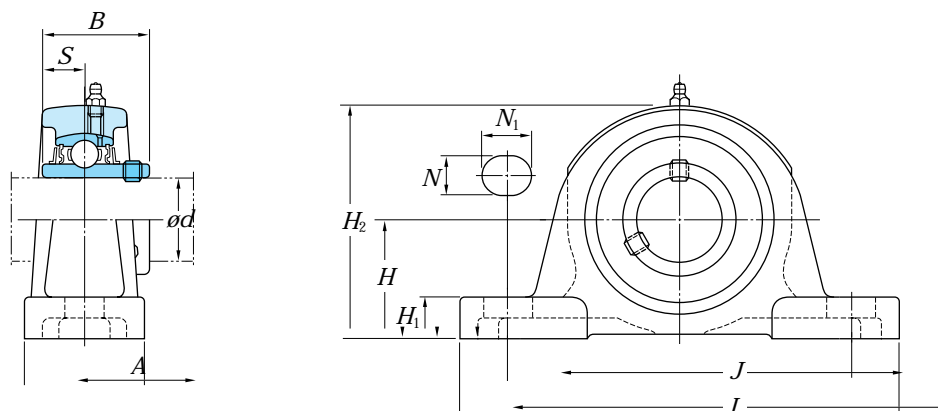
Opmerkingen 1) Toegepaste smeernippels

1/4-28UNF 201 - 210, X05 - X09, 305 - 308

PT 1/8 211 - 218, X10 - X20, 309 - 328

2) Lagers en blokken met dubbele- of drievoudige afdichting hebben het achtervoegsel L2 resp. L3.

**LAGERBLOKKEN**  
**Kussenblok - gietijzer**  
**UCP (asborging d.m.v. borgschroeven)**  
**d 30 - 40 mm**



Asdiam. (mm)	Asdiam. (inch)	Afmetingen (mm)										Bout maat	Type Nr.	Huis Nr.	Toegepast lager		(Refer.) Blok Gewicht (kg)	
		H	J	L	A	H <sub>1</sub>	H <sub>2</sub>	N	N <sub>1</sub>	B	S				Nr.	Draaggetallen (kN)		C <sub>r</sub>
<b>30</b>													<b>UCPX06</b>		UCX06			
<b>30.16</b>	<b>1.3/16</b>	47.6	127	175	57	17	93	17	25	42.9	17.5	M14	<b>UCPX06-19</b>	PX06	UCX06-19	25.7	15.4	2.10
<b>31.75</b>	<b>1.1/4</b>												<b>UCPX06-20</b>		UCX06-20			
<b>28.58</b>	<b>1.1/8</b>	50	140	180	50	17	95	17	20	43	17	M14	<b>UCP306-18</b>	P306	UC306-18	26.7	15.0	2.20
<b>30</b>													<b>UCP306</b>		UC306			
<b>31.75</b>	<b>1.1/4</b>												<b>UCP207-20</b>		UC207-20			
<b>33.34</b>	<b>1.5/16</b>												<b>UCP207-21</b>		UC207-21			
<b>34.93</b>	<b>1.3/8</b>	47.6	127	167	48	16	93	17	21	42.9	17.5	M14	<b>UCP207-22</b>	P207	UC207-22	25.7	15.4	1.60
<b>35</b>													<b>UCP207</b>		UC207			
<b>36.51</b>	<b>1.7/16</b>												<b>UCP207-23</b>		UC207-23			
<b>35</b>													<b>UCPX07</b>		UCX07			
<b>36.51</b>	<b>1.7/16</b>	54	144	203	57	19	105	17	30	49.2	19	M14	<b>UCPX07-23</b>	PX07	UCX07-23	29.1	17.8	2.70
<b>38.10</b>	<b>1.1/2</b>												<b>UCPX07-24</b>		UCX07-24			
<b>31.75</b>	<b>1.1/4</b>												<b>UCP307-20</b>		UC307-20			
<b>34.93</b>	<b>1.3/8</b>	56	160	210	56	19	107	17	25	48	19	M14	<b>UCP307-22</b>	P307	UC307-22	33.4	19.3	3.00
<b>35</b>													<b>UCP307</b>		UC307			
<b>38.10</b>	<b>1.1/2</b>												<b>UCP208-24</b>		UC208-24			
<b>39.69</b>	<b>1.9/16</b>	49.2	137	184	54	17	98	17	21	49.2	19	M14	<b>UCP208-25</b>	P208	UC208-25	29.1	17.8	2.00
<b>40</b>													<b>UCP208</b>		UC208			
<b>38.10</b>	<b>1.1/2</b>	58.7	156	222	67	21	114	20	32	49.2	19	M16	<b>UCPX08-24</b>	PX08	UCX08-24	32.7	20.3	3.50
<b>40</b>													<b>UCPX08</b>		UCX08			
<b>38.10</b>	<b>1.1/2</b>	60	170	220	60	19	118	17	27	52	19	M14	<b>UCP308-24</b>	P308	UC308-24	40.7	24.0	3.80
<b>40</b>													<b>UCP308</b>		UC308			

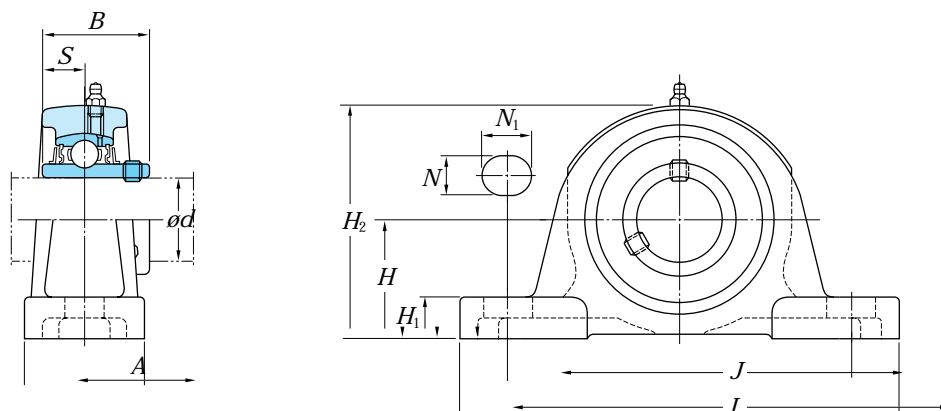
Opmerkingen 1) Toegepaste smeernippels

1/4-28UNF 201 - 210, X05 - X09, 305 - 308

PT 1/8 211 - 218, X10 - X20, 309 - 328

2) Lagers en blokken met dubbele- of drievoudige afdichting hebben het achtervoegsel L2 resp. L3.

**LAGERBLOKKEN**  
**Kussenblok - gietijzer**  
**UCP (asborging d.m.v. borgschroeven)**  
**d 41.28 - 55.56 mm**



Asdiam. (mm) <i>d</i>	Asdiam. (inch) <i>d</i>	Afmetingen (mm)										Bout maat	Type Nr.	Huis Nr.	Toegepast lager Draaggetallen (kN)		(Refer.) Blok Gewicht (kg)	
		<i>H</i>	<i>J</i>	<i>L</i>	<i>A</i>	<i>H</i> <sub>1</sub>	<i>H</i> <sub>2</sub>	<i>N</i>	<i>N</i> <sub>1</sub>	<i>B</i>	<i>S</i>				<i>C</i> <sub>r</sub>	<i>C</i> <sub>0r</sub>		
41.28	1.5/8	54	146	190	54	17	106	17	21	49.2	19	M14	UCP209-26	P209	UC209-26	32.7	20.3	2.20
42.86	1.11/16												UCP209-27		UC209-27			
44.45	1.3/4												UCP209-28		UC209-28			
45													UCP209		UC209			
40		58.7	156	222	67	21	116	20	33	51.6	19	M16	UCPX09/1d	PX09	UCX09/1d	35.1	23.3	3.70
42.86	1.11/16												UCPX09-27		UCX09-27			
44.45	1.3/4												UCPX09-28		UCX09-28			
45													UCPX09		UCX09			
41.28	1.5/8	67	190	245	67	21	132	20	30	57	22	M16	UCP309-26	P309	UC309-26	48.9	29.5	4.90
44.45	1.3/4												UCP309-28		UC309-28			
45													UCP309		UC309			
46.04	1.13/16	57.2	159	206	60	19	113	20	22	51.6	19	M16	UCP210-29	P210	UC210-29	35.1	23.3	2.90
47.63	1.7/8												UCP210-30		UC210-30			
49.21	1.15/16												UCP210-31		UC210-31			
50													UCP210		UC210			
42.86	1.15/16	63.5	171	241	73	22	126	20	36	55.6	22.2	M16	UCPX10-31	PX10	UCX10-31	43.4	29.4	4.60
50													UCPX10		UCX10			
50.80	2												UCPX10-32		UCX10-32			
47.63	1.7/8	75	212	275	75	24	148	20	35	61	22	M16	UCP310-30	P310	UC310-30	62.0	38.3	6.60
50													UCP310		UC310			
50.80	2	63.0	171	219	60	19	125	20	22	55.6	22.2	M16	UCP211-32	P211	UC211-32	43.4	29.4	3.60
52.39	2.1/16												UCP211-33		UC211-33			
53.98	2.1/8												UCP211-34		UC211-34			
55													UCP211		UC211			
55.56	2.3/16												UCP211-35		UC211-35			

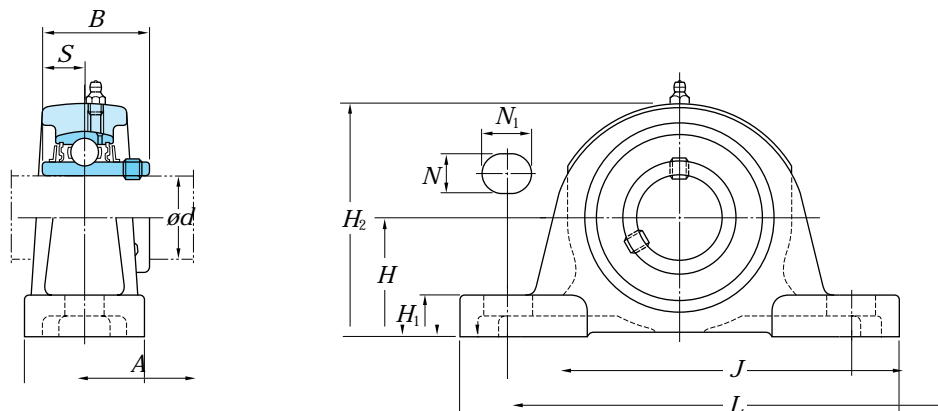
Opmerkingen 1) Toegepaste smeernippels

1/4-28UNF 201 - 210, X05 - X09, 305 - 308

PT 1/8 211 - 218, X10 - X20, 309 - 328

2) Lagers en blokken met dubbele- of drievoudige afdichting hebben het achtervoegsel L2 resp. L3.

**LAGERBLOKKEN**  
**Kussenblok - gietijzer**  
**UCP (asborging d.m.v. borgschroeven)**  
**d 55 - 65 mm**



Asdiam. (mm) <i>d</i>	Asdiam. (inch) <i>d</i>	Afmetingen (mm)										Bout maat	Type Nr.	Huis Nr.	Toegepast lager		(Refer.) Blok Gewicht (kg)	
		<i>H</i>	<i>J</i>	<i>L</i>	<i>A</i>	<i>H</i> <sub>1</sub>	<i>H</i> <sub>2</sub>	<i>N</i>	<i>N</i> <sub>1</sub>	<i>B</i>	<i>S</i>				Nr.	Draaggetallen (kN) <i>C</i> <sub>r</sub> <i>C</i> <sub>0r</sub>		
<b>55</b>													<b>UCPX11</b>		UCX11			
<b>55.56</b>	<b>2.3/16</b>	69.8	184	260	79	28	139	25	36	65.1	25.4	M20	<b>UCPX11-35</b>	PX11	UCX11-35	52.4	36.2	6.50
<b>57.15</b>	<b>2.1/4</b>												<b>UCPX11-36</b>		UCX11-36			
<b>50.80</b>	<b>2</b>												<b>UCP311-32</b>		UC311-32			
<b>53.98</b>	<b>2.1/8</b>	80	236	310	80	27	158	20	38	66	25	M16	<b>UCP311-34</b>	P311	UC311-34	71.6	45.0	7.90
<b>55</b>													<b>UCP311</b>		UC311			
<b>57.15</b>	<b>2.1/4</b>												<b>UCP212-36</b>		UC212-36			
<b>58.74</b>	<b>2.5/16</b>												<b>UCP212-37</b>		UC212-37			
<b>60</b>		69.8	184	241	70	22	138	20	25	65.1	25.4	M16	<b>UCP212</b>	P212	UC212	52.4	36.2	4.90
<b>60.33</b>	<b>2.3/8</b>												<b>UCP212-38</b>		UC212-38			
<b>61.91</b>	<b>2.7/16</b>												<b>UCP212-39</b>		UC212-39			
<b>60</b>													<b>UCPX12</b>		UCX12			
<b>60.33</b>	<b>2.3/8</b>	76.2	203	286	83	28	152	25	40	65.1	25.4	M20	<b>UCPX12-38</b>	PX12	UCX12-38	57.2	40.1	7.70
<b>61.91</b>	<b>2.7/16</b>												<b>UCPX12-39</b>		UCX12-39			
<b>57.15</b>	<b>2.1/4</b>												<b>UCP312-36</b>		UC312-36			
<b>60</b>		85	250	330	85	29	167	25	38	71	26	M20	<b>UCP312</b>	P312	UC312	81.9	52.2	9.50
<b>60.33</b>	<b>2.3/8</b>												<b>UCP312-38</b>		UC312-38			
<b>63.50</b>	<b>2.1/2</b>	76.2	203	265	70	25	150	25	30	65.1	25.4	M20	<b>UCP213-40</b>	P213	UC213-40	57.2	40.1	5.90
<b>65</b>													<b>UCP213</b>		UC213			
<b>60</b>													<b>UCPX13/1d</b>		UCX13/1d			
<b>61.91</b>	<b>2.7/16</b>	76.2	203	286	83	28	155	25	40	74.6	30.2	M20	<b>UCPX13-39</b>	PX13	UCX13-39	62.2	44.1	8.10
<b>63.5</b>	<b>2.1/2</b>												<b>UCPX13-40</b>		UCX13-40			
<b>65</b>													<b>UCPX13</b>		UCX13			

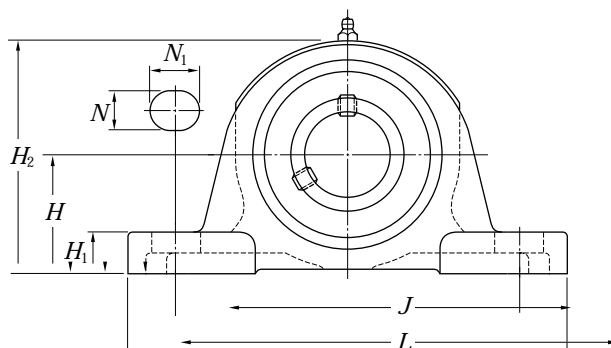
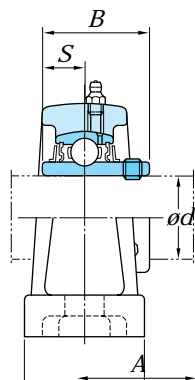
Opmerkingen 1) Toegepaste smeernippels

1/4-28UNF 201 - 210, X05 - X09, 305 - 308

PT 1/8 211 - 218, X10 - X20, 309 - 328

2) Lagers en blokken met dubbele- of drievoudige afdichting hebben het achtervoegsel L2 resp. L3.

**LAGERBLOKKEN**  
**Kussenblok - gietijzer**  
**UCP (asborging d.m.v. borgschroeven)**  
**d 63.50 - 80 mm**



Asdiam. (mm) <i>d</i>	Asdiam. (inch) <i>d</i>	Afmetingen (mm)										Bout maat	Type Nr.	Huis Nr.	Toegepast lager		(Refer.) Blok Gewicht (kg)
		<i>H</i>	<i>J</i>	<i>L</i>	<i>A</i>	<i>H</i> <sub>1</sub>	<i>H</i> <sub>2</sub>	<i>N</i>	<i>N</i> <sub>1</sub>	<i>B</i>	<i>S</i>				Nr.	Draaggetallen (kN) <i>C</i> <sub>r</sub> <i>C</i> <sub>0r</sub>	
63.50 65	2.1/2	90	260	340	90	32	176	25	38	75	30	M20	UCP313-40 UCP313	P313	UC313-40 UC313	92.7   59.9	10.70
68.26 69.85 70	2.11/16 2.3/4	79.4	210	266	72	28	156	25	30	74.6	30.2	M20	UCP214-43 UCP214-44 UCP214	P214	UC214-43 UC214-44 UC214	62.2   44.1	6.80
65 68.26 69.85 70	2.11/16 2.3/4	88.9	229	330	89	32	171	27	50	77.8	33.3	M22	UCPX14/1d UCPX14-43 UCPX14-44 UCPX14	PX14	UCX14/1d UCX14-43 UCX14-44 UCX14	67.4   48.3	10.20
69.85 70	2.3/4	95	280	360	90	35	186	27	40	78	33	M22	UCP314-44 UCP314	P314	UC314-44 UC314	104.0   68.2	12.40
73.03 74.61 75 76.2	2.7/8 2.15/16 3	82.6	217	275	74	28	162	25	30	77.8	33.3	M20	UCP215-46 UCP215-47 UCP215 UCP215-48	P215	UC215-46 UC215-47 UC215 UC215-48	67.4   48.3	7.40
74.61 75 76.2	2.15/16 3	88.9	229	330	89	32	175	27	50	82.6	33.3	M22	UCPX15-47 UCPX15 UCPX15-48	PX15	UCX15-47 UCX15 UCX15-48	72.7   53.0	10.80
75 76.2	3	100	290	380	100	35	198	27	40	82	32	M22	UCP315 UCP315-48	P315	UC315 UC315-48	113.0   77.2	14.80
80		88.9	232	292	78	32	174	25	35	82.6	33.3	M20	UCP216	P216	UC216	72.7   53.0	9.00

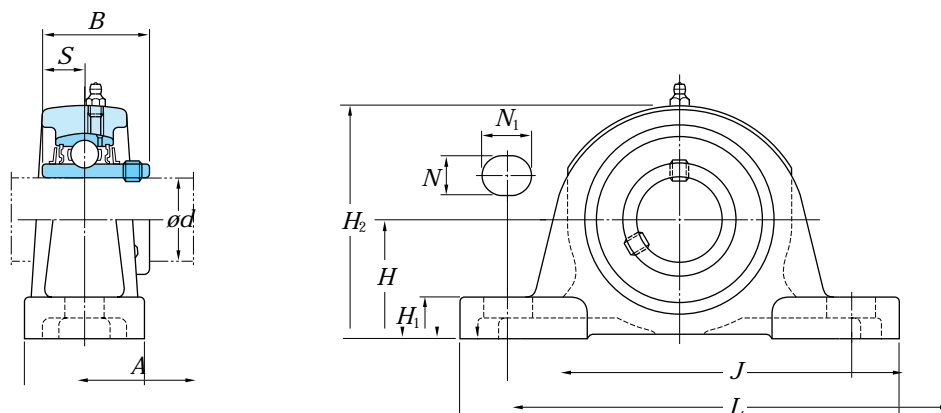
Opmerkingen 1) Toegepaste smeernippels

1/4-28UNF 201 - 210, X05 - X09, 305 - 308

PT 1/8 211 - 218, X10 - X20, 309 - 328

2) Lagers en blokken met dubbele- of drievoudige afdichting hebben het achtervoegsel L2 resp. L3.

**LAGERBLOKKEN**  
**Kussenblok - gietijzer**  
**UCP (asborging d.m.v. borgschroeven)**  
**d 80 - 101.60 mm**



Asdiam. (mm) <i>d</i>	Asdiam. (inch) <i>d</i>	Afmetingen (mm)										Bout maat	Type Nr.	Huis Nr.	Toegepast lager		(Refer.) Blok Gewicht (kg)	
		<i>H</i>	<i>J</i>	<i>L</i>	<i>A</i>	<i>H</i> <sub>1</sub>	<i>H</i> <sub>2</sub>	<i>N</i>	<i>N</i> <sub>1</sub>	<i>B</i>	<i>S</i>				Nr.	Draaggetallen (kN) <i>C</i> <sub>r</sub> <i>C</i> <sub>0r</sub>		
<b>80</b>													<b>UCPX16</b>		UCX16			
<b>80.96</b>	<b>3.3/16</b>	101.6	283	381	102	34	195	27	58	85.7	34.1	M22	<b>UCPX16-51</b>	PX16	UCX16-51	84.0	61.9	15.30
<b>82.55</b>	<b>3.1/4</b>												<b>UCPX16-52</b>		UCX16-52			
<b>79.38</b>	<b>3.1/8</b>												<b>UCP316-50</b>		UC316-50			
<b>80</b>		106	300	400	110	35	209	27	40	86	34	M22	<b>UCP316</b>	P316	UC316	123.0	86.7	18.50
<b>82.55</b>	<b>3.1/4</b>												<b>UCP217-52</b>		UC217-52			
<b>85</b>		95.2	247	310	83	32	185	25	40	85.7	34.1	M20	<b>UCP217</b>	P217	UC217	84.0	61.9	10.80
<b>85</b>													<b>UCPX17</b>		UCX17			
<b>87.31</b>	<b>3.7/16</b>												<b>UCPX17-55</b>		UCX17-55			
<b>88.90</b>	<b>3.1/2</b>	101.6	283	381	102	34	200	27	60	96	39.7	M22	<b>UCPX17-56</b>	PX17	UCX17-56	96.1	71.5	16.10
<b>90</b>													<b>UCPX17/1d</b>		UCX17/1d			
<b>82.55</b>	<b>3.1/4</b>												<b>UCP317-52</b>		UC317-52			
<b>85</b>		112	320	420	110	40	220	33	45	96	40	M27	<b>UCP317</b>	P317	UC317	133.0	96.8	20.30
<b>88.90</b>	<b>3.1/2</b>												<b>UCP218-56</b>		UC218-56			
<b>90</b>		101.6	262	327	88	34	198	27	45	96	39.7	M22	<b>UCP218</b>	P218	UC218	96.1	71.5	13.90
<b>88.90</b>	<b>3.1/2</b>												<b>UCPX18-56</b>		UCX18-56			
<b>90</b>		101.6	283	381	111	38	204	27	60	104	42.9	M22	<b>UCPX18</b>	PX18	UCX18	109.0	81.9	19.10
<b>88.90</b>	<b>3.1/2</b>												<b>UCP318-56</b>		UC318-56			
<b>90</b>		118	330	430	110	40	234	33	45	96	40	M27	<b>UCP318</b>	P318	UC318	143.0	107.0	22.80
<b>95</b>													<b>UCP319</b>		UC319			
<b>95.25</b>	<b>3.3/4</b>	125	360	470	120	46	248	36	50	103	41	M30	<b>UCP319-60</b>	P319	UC319-60	153.0	119.0	29.00

Opmerkingen 1) Toegepaste smeernippels

1/4-28UNF 201 - 210, X05 - X09, 305 - 308

PT 1/8 211 - 218, X10 - X20, 309 - 328

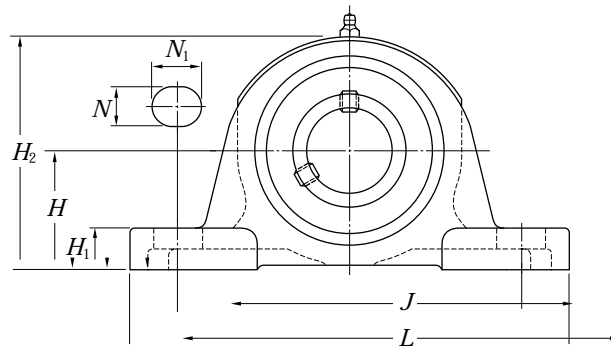
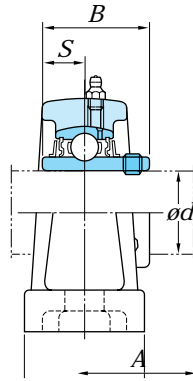
2) Lagers en blokken met dubbele- of drievoudige afdichting hebben het achtervoegsel L2 resp. L3.

# LAGERBLOKKEN

## Kussenblok - gietijzer

### UCP (asborging d.m.v. borgschroeven)

**d 100 - 140 mm**



Asdiam. (mm)	Asdiam. (inch)	Afmetingen (mm)										Bout maat	Type Nr.	Huis Nr.	Toegepast lager		(Refer.) Blok Gewicht (kg)	
		H	J	L	A	H <sub>1</sub>	H <sub>2</sub>	N	N <sub>1</sub>	B	S				Nr.	Draaggetallen (kN) C <sub>r</sub> C <sub>0r</sub>		
<b>100</b>																		
<b>100.01</b>	<b>3.15/16</b>	127	337	432	121	45	245	33	65	117.5	49.2	M27	<b>UCPX20</b>	PX20	UCX20	133.0 105.0	30.40	
<b>101.60</b>	<b>4</b>												<b>UCPX20-63</b>		UCX20-63			
													<b>UCPX20-64</b>		UCX20-64			
<b>100</b>																		
<b>101.60</b>	<b>4</b>	140	380	490	120	46	273	36	50	108	42	M30	<b>UCP320</b>	P320	UC320	173.0 141.0	35.10	
													<b>UCP320-64</b>		UC320-64			
<b>105</b>		140	380	490	120	46	278	36	50	112	44	M30	<b>UCP321</b>	P321	UC321	184.0 153.0	37.60	
<b>110</b>		150	400	520	140	50	296	40	55	117	46	M33	<b>UCP322</b>	P322	UC322	205.0 180.0	44.00	
<b>112.71</b>	<b>4.7/16</b>												<b>UCP322-71</b>		UC322-71			
<b>120</b>		160	450	570	140	50	316	40	55	126	51	M33	<b>UCP324</b>	P324	UC324	207.0 185.0	55.40	
<b>125.41</b>	<b>4.15/16</b>												<b>UCP324-79</b>		UC324-79			
<b>130</b>		180	480	600	140	50	355	40	55	135	54	M33	<b>UCP326</b>	P326	UC326	229.0 214.0	72.10	
<b>130.18</b>	<b>5.1/8</b>												<b>UCP326-82</b>		UC326-82			
<b>139.70</b>	<b>5.1/2</b>	200	500	620	140	60	393	40	55	145	59	M33	<b>UCP328-88</b>	P328	UC328-88	253.0 246.0	92.50	
<b>140</b>													<b>UCP328</b>		UC328			

Opmerkingen 1) Toegepaste smeernippels

1/4-28UNF 201 - 210, X05 - X09, 305 - 308

PT 1/8 211 - 218, X10 - X20, 309 - 328

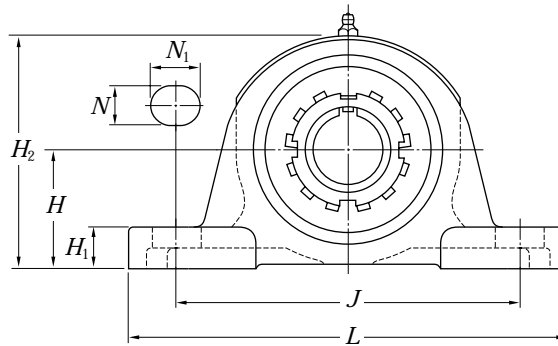
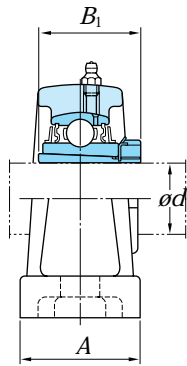
2) Lagers en blokken met dubbele- of drievoudige afdichting hebben het achtervoegsel L2 resp. L3.

# LAGERBLOKKEN

## Kussenblok - gietijzer

### UKP (asborging d.m.v. trekbus)

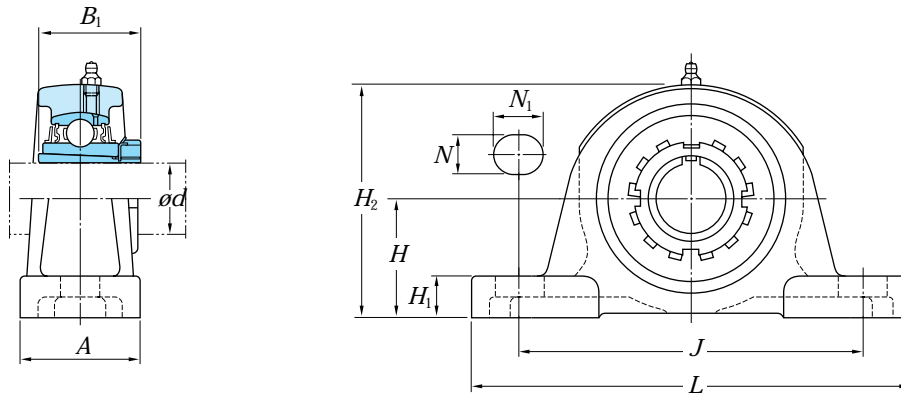
**d 20 – 60 mm**



Shaft dia. (mm) <i>d</i>	Dimensions (mm)									Bolt size	Unit No.	Housing No.	Applicable bearing		(Refer.) Unit Mass (kg)	
	<i>H</i>	<i>J</i>	<i>L</i>	<i>A</i>	<i>H</i> <sub>1</sub>	<i>H</i> <sub>2</sub>	<i>N</i>	<i>N</i> <sub>1</sub>	<i>B</i> <sub>1</sub>				No.	Basic load ratings (kN) <i>C</i> <sub>r</sub> <i>C</i> <sub>0r</sub>		
20	36.5	105	140	38	13	71	13	18	29	M10	<b>UKP205</b>	P205	UK205	14.0	7.85	0.84
	44.4	119	159	51	16	86	17	25	35	M14	<b>UKPX05</b>	PX05	UKX05	19.5	11.3	1.5
	45	132	175	45	16	85	17	20	35	M14	<b>UKP305</b>	P305	UK305	20.6	11.3	1.7
25	42.9	121	165	48	15	84	17	21	31	M14	<b>UKP206</b>	P206	UK206	19.5	11.3	1.4
	47.6	127	175	57	17	93	17	25	38	M14	<b>UKPX06</b>	PX06	UKX06	25.7	15.4	2.1
	50	140	180	50	17	95	17	20	38	M14	<b>UKP306</b>	P306	UK306	26.7	15.0	2.3
30	47.6	127	167	48	16	93	17	21	35	M14	<b>UKP207</b>	P207	UK207	25.7	15.4	1.7
	54	144	203	57	19	105	17	30	43	M14	<b>UKPX07</b>	PX07	UKX07	29.1	17.8	2.7
	56	160	210	56	19	107	17	25	43	M14	<b>UKP307</b>	P307	UK307	33.4	19.3	3.0
35	49.2	137	184	54	17	98	17	21	36	M14	<b>UKP208</b>	P208	UK208	29.1	17.8	2.0
	58.7	156	222	67	21	114	20	32	46	M16	<b>UKPX08</b>	PX08	UKX08	32.7	20.3	3.5
	60	170	220	60	19	118	17	27	46	M14	<b>UKP308</b>	P308	UK308	40.7	24.0	3.8
40	54	146	190	54	17	106	17	21	39	M14	<b>UKP209</b>	P209	UK209	32.7	20.3	2.3
	58.7	156	222	67	21	116	20	33	50	M16	<b>UKPX09</b>	PX09	UKX09	35.1	23.3	3.7
	67	190	245	67	21	132	20	30	50	M16	<b>UKP309</b>	P309	UK309	48.9	29.5	5.0
45	57.2	159	206	60	19	113	20	22	42	M16	<b>UKP210</b>	P210	UK210	35.1	23.3	3.0
	63.5	171	241	73	22	126	20	36	55	M16	<b>UKPX10</b>	PX10	UKX10	43.4	29.4	4.6
	75	212	275	75	24	148	20	35	55	M16	<b>UKP310</b>	P310	UK310	62.0	38.3	6.7
50	63.5	171	219	60	19	125	20	22	45	M16	<b>UKP211</b>	P211	UK211	43.4	29.4	3.7
	69.8	184	260	79	28	139	25	36	59	M20	<b>UKPX11</b>	PX11	UKX11	52.4	36.2	6.2
	80	236	310	80	27	158	20	38	59	M16	<b>UKP311</b>	P311	UK311	71.6	45.0	8.1
55	69.8	184	241	70	22	138	20	25	47	M16	<b>UKP212</b>	P212	UK212	52.4	36.2	4.8
	76.2	203	286	83	28	152	25	40	62	M20	<b>UKPX12</b>	PX12	UKX12	57.2	40.1	7.5
	85	250	330	85	29	167	25	38	62	M20	<b>UKP312</b>	P312	UK312	81.9	52.2	9.4
60	76.2	203	265	70	25	150	25	30	50	M20	<b>UKP213</b>	P213	UK213	57.2	40.1	5.8
	76.2	203	286	83	28	155	25	40	65	M20	<b>UKPX13</b>	PX13	UKX13	62.2	44.1	7.8
	90	260	340	90	32	176	25	38	65	M20	<b>UKP313</b>	P313	UK313	92.7	59.9	10.8

Remark ) Applicable sizes of grease nipples are shown below.  
 1/4-28UNF ..... 205 – 210, X05 – X09, 305 – 308  
 PT 1/8 ..... 211 – 218, X10 – X20, 309 – 328

**LAGERBLOKKEN**  
**Kussenblok - gietijzer**  
**UKP (asborging d.m.v. trekbus)**  
**d 65 – 125 mm**



Shaft dia. (mm) <i>d</i>	Dimensions (mm)									Bolt size	Unit No.	Housing No.	Applicable bearing		(Refer.) Unit Mass (kg)	
	<i>H</i>	<i>J</i>	<i>L</i>	<i>A</i>	<i>H</i> <sub>1</sub>	<i>H</i> <sub>2</sub>	<i>N</i>	<i>N</i> <sub>1</sub>	<i>B</i> <sub>1</sub>				No.	Basic load ratings (kN) <i>C</i> <sub>r</sub> <i>C</i> <sub>0r</sub>		
65	82.6	217	275	74	28	162	25	30	55	M20	UKP215	P215	UK215	67.4	48.3	7.5
	88.9	229	330	89	32	175	27	50	73	M22	UKPX15	PX15	UKX15	72.7	53.0	13.0
	100	290	380	100	35	198	27	40	73	M22	UKP315	P315	UK315	113.0	77.2	15.1
70	88.9	232	292	78	32	174	25	35	59	M20	UKP216	P216	UK216	72.7	53.0	9.2
	101.6	283	381	102	34	195	27	58	78	M22	UKPX16	PX16	UKX16	84.1	61.9	17.0
	106	300	400	110	35	209	27	40	78	M22	UKP316	P316	UK316	123.0	86.7	18.7
75	95.2	247	310	83	32	185	25	40	63	M20	UKP217	P217	UK217	84.0	61.9	11.0
	101.6	283	381	102	34	200	27	60	82	M22	UKPX17	PX17	UKX17	96.1	71.5	19.0
	112	320	420	110	40	220	33	45	82	M27	UKP317	P317	UK317	133.0	96.8	20.3
80	101.6	262	327	88	34	198	27	45	65	M22	UKP218	P218	UK218	96.1	71.5	13.9
	101.6	283	381	111	38	204	27	60	86	M22	UKPX18	PX18	UKX18	109.0	81.9	18.6
	118	330	430	110	40	234	33	45	86	M27	UKP318	P318	UK318	143.0	107.0	22.8
85	125	360	470	120	46	248	36	50	90	M30	UKP319	P319	UK319	153.0	119.0	29.3
90	127	337	432	121	45	245	33	65	97	M27	UKPX20	PX20	UKX20	133.0	105.0	29.3
	140	380	490	120	46	273	36	50	97	M30	UKP320	P320	UK320	173.0	141.0	34.8
100	150	400	520	140	50	296	40	55	105	M33	UKP322	P322	UK322	205.0	180.0	43.9
110	160	450	570	140	50	316	40	55	112	M33	UKP324	P324	UK324	207.0	185.0	55.7
115	180	480	600	140	50	355	40	55	121	M33	UKP326	P326	UK326	229.0	214.0	71.9
125	200	500	620	140	60	393	40	55	131	M33	UKP328	P328	UK328	253.0	246.0	92.5

Remark ) Applicable sizes of grease nipples are shown below.  
 1/4-28UNF ..... 205 – 210, X05 – X09, 305 – 308  
 PT 1/8 ..... 211 – 218, X10 – X20, 309 – 328