

# KOYO

## LAGERBLOKKEN

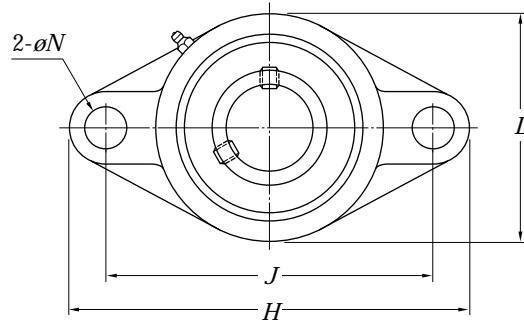
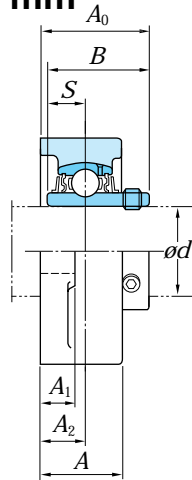


# LAGERBLOKKEN

## Ovaal flensblok - gietijzer

### UCFL (asborging d.m.v. borgschroeven)

**d 12 - 30.16 mm**



Asdiam. (mm)	Asdiam. (inch)	Afmetingen (mm)										Bout maat	Type Nr.	Huis Nr.	Toegepast lager		(Refer.) Blok Gewicht (kg)
		H	J	L	A	A <sub>1</sub>	A <sub>2</sub>	A <sub>0</sub>	N	B	S				Nr.	Draaggetallen (kN) C <sub>r</sub> C <sub>0r</sub>	
12													UCFL201		UC201		
12,70	1/2												UCFL201-08		UC201-08		
14,28	9/16												UCFL202-09		UC202-09		
15													UCFL202		UC202		
15,87	5/8	113	90	60	25.5	11	15	33.3	12	31	12.7	M10	UFL202-10	FL204	UC202-10	12.8 6.65	0.48
17													UCFL203		UC203		
17,46	11/16												UCFL203-11		UC203-11		
19,05	3/4												UCFL204-12		UC204-12		
20													UCFL204		UC204		
20,64	13/16												UCFL205-13		UC205-13		
22,23	7/8												UCFL205-14		UC205-14		
23,81	15/16	130	99	68	27	13	16	35.8	16	34.1	14.3	M14	UCFL205-15	FL205	UC205-15	14.0 7.85	0.64
25													UCFL205		UC205		
25,40	1												UCFL205-16		UC205-16		
23,81	15/16												UCFLX05-15		UCX05-15		
25		141	117	83	30	13	18	40.2	12	38.1	15.9	M10	UCFLX05	FLX05	UCX05	19.5 11.3	1.10
25,40	1												UCFLX05-16		UCX05-16		
22,23	7/8												UCFL305-14		UC305-14		
23,81	15/16	150	113	80	29	13	16	39	19	38	15	M16	UCFL305-15	FL305	UC305-15	20.6 11.3	1.10
25													UCFL305		UC305		
25,40	1												UCFL305-16		UC305-16		
26,98	1.1/16												UCFL206-17		UC206-17		
28,58	1.1/18	148	117	80	31	13	18	40.2	16	38.1	15.9	M14	UCFL206-18	FL206	UC206-18	19.5 11.3	0.93
30													UCFL206		UC206		
30,16	1.3/16												UCFL206-19		UC206-19		

Opmerkingen 1) Toegepaste smeernippels

1/4-28UNF 201 - 210, X05 - X09, 305 - 308

PT 1/8 211 - 218, X10 - X20, 309 - 328

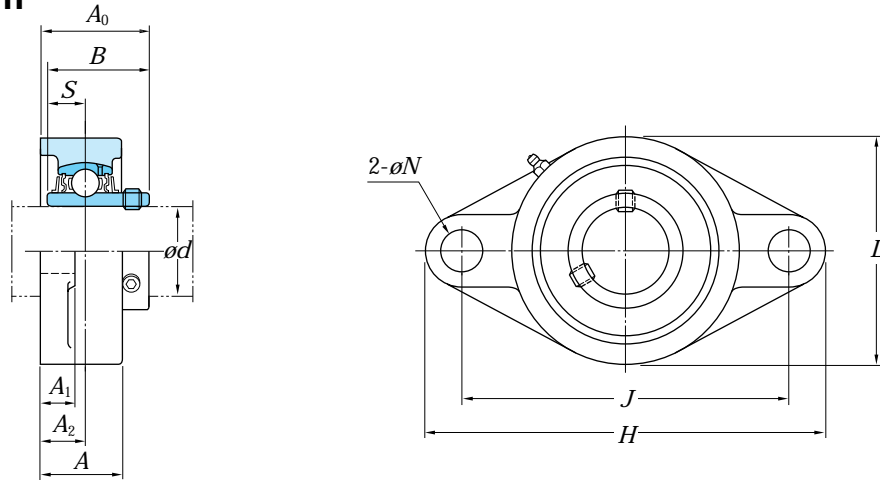
2) Lagers en blokken met dubbele- of drievoudige afdichting hebben het achtervoegsel L2 resp. L3.

# LAGERBLOKKEN

## Ovaal flensblok - gietijzer

### UCFL (asborging d.m.v. borgschroeven)

**d 30 - 40 mm**



Asdiam. (mm)	Asdiam. (inch)	Afmetingen (mm)										Bout maat	Type Nr.	Huis Nr.	Toegepast lager		(Refer.) Blok Gewicht (kg)	
		H	J	L	A	A <sub>1</sub>	A <sub>2</sub>	A <sub>0</sub>	N	B	S				Nr.	Draaggetallen (kN) C <sub>r</sub> C <sub>0r</sub>		
<b>30</b>													<b>UCFLX06</b>		UCX06			
<b>30.16</b>	<b>1.3/16</b>	156	130	95	34	14	19	44.4	16	42.9	17.5	M14	<b>UCFLX06-19</b>	FLX06	UCX06-19	25.7	15.4	1.50
<b>31.75</b>	<b>1.1/4</b>												<b>UCFLX06-20</b>		UCX06-20			
<b>28.58</b>	<b>1.1/8</b>												<b>UCFL306-18</b>		UC306-18			
<b>30</b>		180	134	90	32	15	18	44	23	43	17	M20	<b>UCFL306</b>	FL306	UC306	26.7	15.0	1.50
<b>30.16</b>	<b>1.3/16</b>												<b>UCFL306-19</b>		UC306-19			
<b>31.75</b>	<b>1.1/4</b>												<b>UCFL207-20</b>		UC207-20			
<b>33.34</b>	<b>1.5/16</b>												<b>UCFL207-21</b>		UC207-21			
<b>34.93</b>	<b>1.3/8</b>	161	130	90	34	14	19	44.4	16	42.9	17.5	M14	<b>UCFL207-22</b>	FL207	UC207-22	25.7	15.4	1.20
<b>35</b>													<b>UCFL207</b>		UC207			
<b>36.51</b>	<b>1.7/16</b>												<b>UCFL207-23</b>		UC207-23			
<b>35</b>													<b>UCFLX07</b>		UCX07			
<b>36.51</b>	<b>1.7/16</b>	171	144	105	38	14	21	51.2	16	49.2	19	M14	<b>UCFLX07-23</b>	FLX07	UCX07-23	29.1	17.8	1.90
<b>38.10</b>	<b>1.1/2</b>												<b>UCFLX07-24</b>		UCX07-24			
<b>31.75</b>	<b>1.1/4</b>												<b>UCFL307-20</b>		UC307-20			
<b>33.34</b>	<b>1.5/16</b>												<b>UCFL307-21</b>		UC307-21			
<b>34.93</b>	<b>1.3/8</b>	185	141	100	36	16	20	49	23	48	19	M20	<b>UCFL307-22</b>	FL307	UC307-22	33.4	19.3	1.80
<b>35</b>													<b>UCFL307</b>		UC307			
<b>36.51</b>	<b>1.7/16</b>												<b>UCFL307-23</b>		UC307-23			
<b>38.10</b>	<b>1.1/2</b>												<b>UCFL208-24</b>		UC208-24			
<b>39.69</b>	<b>1.9/16</b>	175	144	100	36	14	21	51.2	16	49.2	19	M14	<b>UCFL208-25</b>	FL208	UC208-25	29.1	17.8	1.60
<b>40</b>													<b>UCFL208</b>		UC208			
<b>38.10</b>	<b>1.1/2</b>	179	148	111	40	14	22	52.2	16	49.2	19	M14	<b>UCFLX08-24</b>	FLX08	UCX08-24	32.7	20.3	2.10
<b>40</b>													<b>UCFLX08</b>		UCX08			

Opmerkingen 1) Toegepaste smeernippels

1/4-28UNF 201 - 210, X05 - X09, 305 - 308

PT 1/8 211 - 218, X10 - X20, 309 - 328

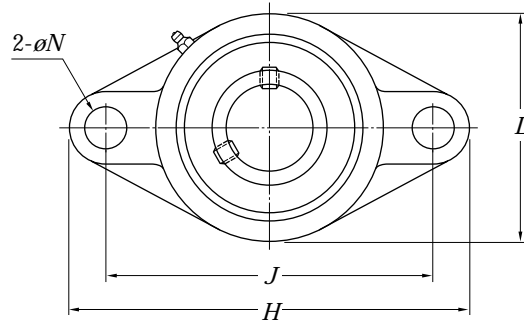
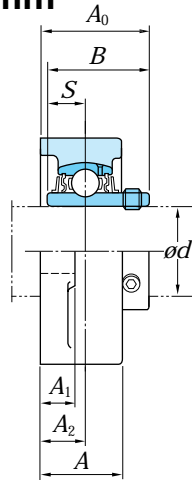
2) Lagers en blokken met dubbele- of drievoudige afdichting hebben het achtervoegsel L2 resp. L3.

# LAGERBLOKKEN

## Ovaal flensblok gietijzer

### UCFL (asborging d.m.v. borgschroeven)

**d 38.1 - 50 mm**



Asdiam. (mm)	Asdiam. (inch)	Afmetingen (mm)										Bout maat	Type Nr.	Huis Nr.	Toegepast lager		(Refer.) Blok Gewicht (kg)	
		H	J	L	A	A <sub>1</sub>	A <sub>2</sub>	A <sub>0</sub>	N	B	S				Nr.	Draaggetallen (kN)		C <sub>r</sub>
38.10	1.1/2	200	158	112	40	17	23	56	23	52	19	M20	UCFL308-24 UCFL308-25 UCFL308	FL308	UC308-24 UC308-25 UC308	40.7	24.0	2.50
39.69	1.9/16																	
40																		
41.28	1.5/8	188	148	108	38	15	22	52.2	19	49.2	19	M16	UCFL209-26 UCFL209-27 UCFL209-28 UCFL209	FL209	UC209-26 UC209-27 UC209-28 UC209	32.7	20.3	1.90
42.86	1.11/16																	
44.45	1.3/4																	
45																		
40		189	157	116	40	14	23	55.6	16	51.6	19	M14	UCFLX09/1d UCFLX09-27 UCFLX09-28 UCFLX09	FLX09	UCX09/1d UCX09-27 UCX09-28 UCX09	35.1	23.3	2.40
42.86	1.11/16																	
44.45	1.3/4																	
45																		
41.28	1.5/8	230	177	125	44	18	25	60	25	57	22	M22	UCFL309-26 UCFL309-27 UCFL309-28 UCFL309	FL309	UC309-26 UC309-27 UC309-28 UC309	48.9	29.5	3.50
42.86	1.11/16																	
44.45	1.3/4																	
45																		
46.04	1.13/16	197	157	115	40	15	22	54.6	19	51.6	19	M16	UCFL210-29 UCFL210-30 UCFL210-31 UCFL210	FL210	UC210-29 UC210-30 UC210-31 UC210	35.1	23.3	2.20
47.63	1.7/8																	
49.21	1.15/16																	
50																		
42.86	1.15/16	216	184	133	44	20	26	59.4	19	55.6	22.2	M16	UCFLX10-31 UCFLX10 UCFLX10-32	FLX10	UCX10-31 UCX10 UCX10-32	43.4	29.4	3.80
50																		
50.80	2																	
47.63	1.7/8	240	187	140	48	19	28	67	25	61	22	M22	UCFL310-30 UCFL310-31 UCFL310	FL310	UC310-30 UC310-31 UC310	62.0	38.3	4.40
49.21	1.15/16																	
50																		

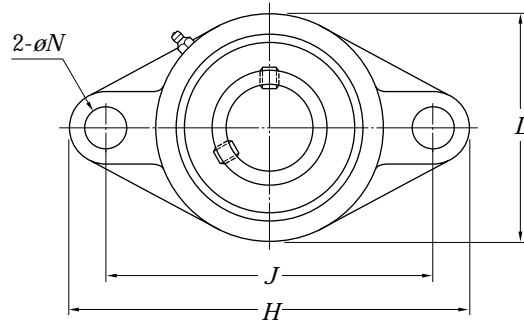
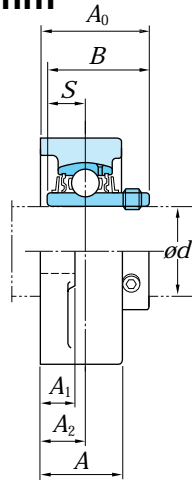
Opmerkingen 1) Toegepaste smeernippels

1/4-28UNF 201 - 210, X05 - X09, 305 - 308

PT 1/8 211 - 218, X10 - X20, 309 - 328

2) Lagers en blokken met dubbele- of drievoudige afdichting hebben het achtervoegsel L2 resp. L3.

**LAGERBLOKKEN**  
**Ovaal flensblok - gietijzer**  
**UCFL (asborging d.m.v. borgschroeven)**  
**d 50.8 - 70 mm**



Asdiam. (mm) <i>d</i>	Asdiam. (inch) <i>d</i>	Afmetingen (mm)										Bout maat	Type Nr.	Huis Nr.	Toegepast lager		(Refer.) Blok Gewicht (kg)	
		<i>H</i>	<i>J</i>	<i>L</i>	<i>A</i>	<i>A</i> <sub>1</sub>	<i>A</i> <sub>2</sub>	<i>A</i> <sub>0</sub>	<i>N</i>	<i>B</i>	<i>S</i>				Nr.	Draaggetallen (kN) <i>C</i> <sub>r</sub> <i>C</i> <sub>0r</sub>		
50.80	2												UCFL211-32		UC211-32			
52.39	2.1/16												UCFL211-33		UC211-33			
53.98	2.1/8	224	184	130	43	18	25	58.4	19	55.6	22.2	M16	UCFL211-34	FL211	UC211-34	43.4	29.4	3.30
55													UCFL211		UC211			
55.56	2.3/16												UCFL211-35		UC211-35			
50.80	2												UCFL311-32		UC311-32			
53.98	2.1/8	250	198	150	52	20	30	71	25	66	25	M22	UCFL311-34	FL311	UC311-34	71.6	45.0	5.30
55													UCFL311		UC311			
55.56	2.3/16												UCFL311-35		UC311-35			
57.15	2.1/4												UCFL212-36		UC212-36			
58.74	2.5/16												UCFL212-37		UC212-37			
60		250	202	140	48	18	29	68.7	23	65.1	25.4	M20	UCFL212	FL212	UC212	52.4	36.2	4.20
60.33	2.3/8												UCFL212-38		UC212-38			
61.91	2.7/16												UCFL212-39		UC212-39			
57.15	2.1/4												UCFL312-36		UC312-36			
60		270	212	160	56	22	33	78	31	71	26	M27	UCFL312	FL312	UC312	81.9	52.2	6.50
60.33	2.3/8												UCFL312-38		UC312-38			
61.91	2.7/16												UCFL312-39		UC312-39			
63.50	2.1/2	258	210	155	50	20	30	69.7	23	65.1	25.4	M20	UCFL213-40	FL213	UC213-40	57.2	40.1	5.10
65													UCFL213		UC213			
63.50	2.1/2	295	240	175	58	25	33	78	31	75	30	M27	UCFL313-40	FL313	UC313-40	92.7	59.9	8.50
65													UCFL313		UC313			
68.26	2.11/16												UCFL214-43		UC214-43			
69.85	2.3/4	265	216	160	54	20	31	75.4	23	74.6	30.2	M20	UCFL214-44	FL214	UC214-44	62.2	44.1	5.70
70													UCFL214		UC214			

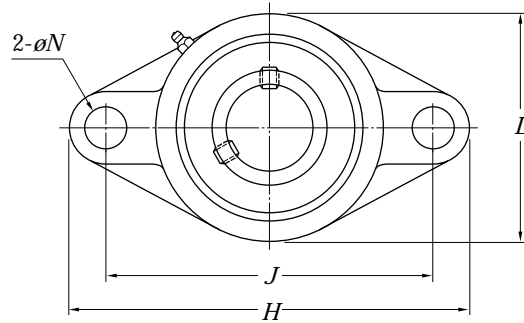
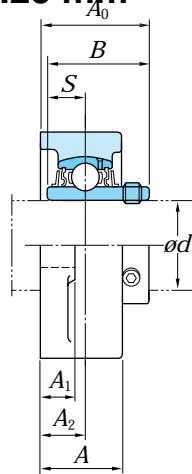
Opmerkingen 1) Toegepaste smeernippels

1/4-28UNF 201 - 210, X05 - X09, 305 - 308

PT 1/8 211 - 218, X10 - X20, 309 - 328

2) Lagers en blokken met dubbele- of drievoudige afdichting hebben het achtervoegsel L2 resp. L3.

**LAGERBLOKKEN**  
**Ovaal flensblok - gietijzer**  
**UCFL (asborging d.m.v. borgschroeven)**  
**d 69.85 - 90.25 mm**



Asdiam. (mm) <i>d</i>	Asdiam. (inch) <i>d</i>	Afmetingen (mm)										Bout maat	Type Nr.	Huis Nr.	Toegepast lager		(Refer.) Blok Gewicht (kg)
		<i>H</i>	<i>J</i>	<i>L</i>	<i>A</i>	<i>A</i> <sub>1</sub>	<i>A</i> <sub>2</sub>	<i>A</i> <sub>0</sub>	<i>N</i>	<i>B</i>	<i>S</i>				Nr.	Draaggetallen (kN) <i>C</i> <sub>r</sub> <i>C</i> <sub>0r</sub>	
69.85 70	2.3/4	315	250	185	61	28	36	81	35	78	33	M30	UCFL314-44 UCFL314	FL314	UC314-44 UC314	104.0   68.2	9.70
73.03 74.61 75 76.2	2.7/8 2.15/16 3	275	225	165	56	20	34	78.5	23	77.8	33.3	M20	UCFL215-46 UCFL215-47 UCFL215 UCFL215-48	FL215	UC215-46 UC215-47 UC215 UC215-48	67.4   48.3	6.40
75 76.2	3	320	260	195	66	30	39	89	35	82	32	M30	UCFL315 UCFL315-48	FL315	UC315 UC315-48	113.0   77.2	11.30
80		290	233	180	58	20	34	83.3	25	82.6	33.3	M22	UCFL216	FL216	UC216	72.7   53.0	7.80
79.38 80	3.1/8	355	285	210	68	32	38	90	38	86	34	M33	UCFL316-50 UCFL316	FL316	UC316-50 UC316	123.0   86.7	14.40
82.55 85	3.1/4	305	248	190	63	22	36	87.6	25	85.7	34.1	M22	UCFL217-52 UCFL217	FL217	UC217-52 UC217	84.0   61.9	9.80
82.55 85	3.1/4	370	300	220	74	32	44	100	38	96	40	M33	UCFL317-52 UCFL317	FL317	UC317-52 UC317	133.0   96.8	16.00
88.90 90	3.1/2	320	265	205	68	23	40	96.3	25	96	39.7	M22	UCFL218-56 UCFL218	FL218	UC218-56 UC218	96.1   71.5	12.30
88.90 90	3.1/2	385	315	235	76	36	44	100	38	96	40	M33	UCFL318-56 UCFL318	FL318	UC318-56 UC318	143.0   107.0	19.00
95 90.25	3.3/4	405	330	250	94	40	59	121	41	103	41	M36	UCFL319 UCFL319-60	FL319	UC319 UC319-60	153.0   119.0	24.60

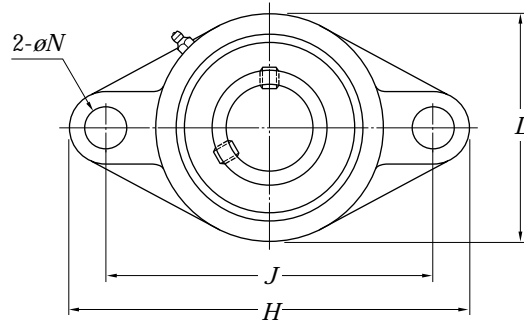
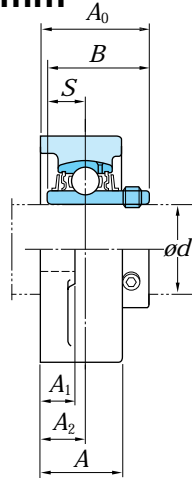
Opmerkingen 1) Toegepaste smeernippels

1/4-28UNF 201 - 210, X05 - X09, 305 - 308

PT 1/8 211 - 218, X10 - X20, 309 - 328

2) Lagers en blokken met dubbele- of drievoudige afdichting hebben het achtervoegsel L2 resp. L3.

**LAGERBLOKKEN**  
**Ovaal flensblok -gietijzer**  
**UCFL (asborging d.m.v. borgschroeven)**  
**d 100 - 140 mm**



Asdiam. (mm)	Asdiam. (inch)	Afmetingen (mm)										Bout maat	Type Nr.	Huis Nr.	Toegepast lager		(Refer.) Blok Gewicht (kg)
		H	J	L	A	A <sub>1</sub>	A <sub>2</sub>	A <sub>0</sub>	N	B	S				Nr.	Draaggetallen (kN) C <sub>r</sub> C <sub>0r</sub>	
100 101.60	4	440	360	270	94	40	59	125	44	108	42	M39	UCFL320 UCFL320-64	FL320	UC320 UC320-64	173.0 141.0	29.40
105		440	360	270	94	40	59	127	44	112	44	M39	UCFL321	FL321	UC321	184.0 153.0	34.40
110 112.71	4.7/16	470	390	300	96	42	60	131	44	117	46	M39	UCFL322 UCFL322-71	FL322	UC322 UC322-71	205.0 180.0	36.20
120 125.41	4.15/16	520	430	330	110	48	65	140	47	126	51	M42	UCFL324 UCFL324-79	FL324	UC324 UC324-79	207.0 185.0	51.60
130 130.18	5.1/8	550	460	360	115	50	65	146	47	135	54	M42	UCFL326 UCFL326-82	FL326	UC326 UC326-82	229.0 214.0	61.60
139.70 140	5.1/2	600	500	400	125	60	75	161	51	145	59	M45	UCFL328-88 UCFL328	FL328	UC328-88 UC328	253.0 246.0	68.40

Opmerkingen 1) Toegepaste smeernippels

1/4-28UNF 201 - 210, X05 - X09, 305 - 308

PT 1/8 211 - 218, X10 - X20, 309 - 328

2) Lagere en blokken met dubbele- of drievoudige afdichting hebben het achtervoegsel L2 resp. L3.